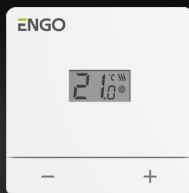


Wired Thermostat, 230V



EASY-230W /
EASY-BATW



EASY-230B /
EASY-BATB

Quick Guide

Ver. 8.1

Release date: VII 2024

Soft: v0.6



Producer:
Engo Controls Sp z o.o. Sp. k.
43-262 Kobielice
4 Rolna St.
Poland

www.engocontrols.com

Technical Informations

Power supply	230V or 2xAAA batteries
Max current	3 (1) A
Temperature range	5 – 35°C
Display temp. accuracy	0,1°C
Control algorithm	TPI or Hysteresis (±0.2°C to ±2°C)
Communication	Wired
Output control	COM / NO (voltage-free)
IP protection class	IP30
Dimension [mm]	80 x 80 x 22

Product description

Wired, non-programmable thermostat, battery powered (2xAAA) or 230V AC powered. It is used for wired control of heating or cooling devices and systems. It works by maintaining comfortable conditions in the room, in line with the setpoint temperature set by the user. It is connected directly to a heat source or wiring centre. For a better fit, the model is available in two colors. Safe, reliable, easy to use.

Products features

- wired communication
- voltage-free output
- TPI algorithm ideal for underfloor heating
- HEAT/STANDBY/COOL Switch

SAFETY INFORMATION

Use in accordance with national and EU regulations. Use the device only as intended, keeping it in a dry condition. The product is for indoor use only. Please read the entire manual, before installation or use.

Product Compliance

This product complies with the following EU Directives: 2014/53/EU, 2011/65/EU

Installation:

Installation must be performed by a qualified person with appropriate electrical qualifications, in accordance with the standards and regulations in force in a given country and in the EU. The manufacturer is not responsible for non-compliance with the instructions.

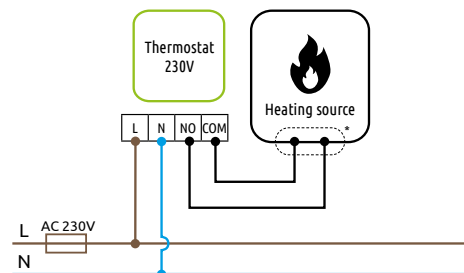
WARNING:

For the entire installation, there may be additional protection requirements, which the installer is responsible for.

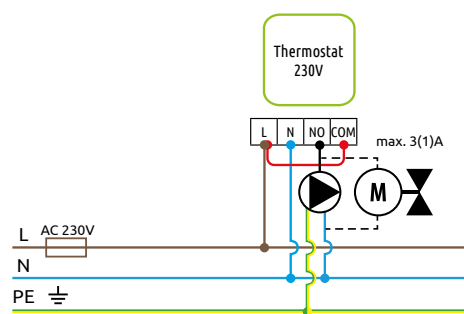
Connection description for

EASY-230W / EASY-230B

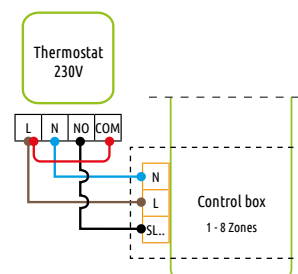
a) Connection diagram for heat source



b) Connection diagram to pump / actuator

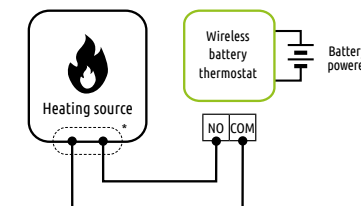


c) Connection diagram to the control box

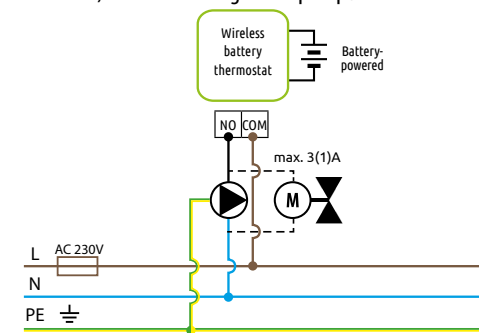


EASY-BATW / EASY-BATB

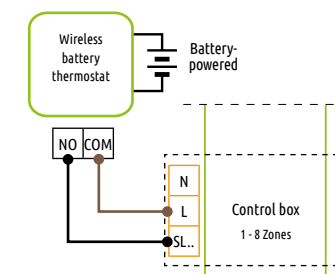
a) Connection diagram for heat source



b) Connection diagram to pump / actuator



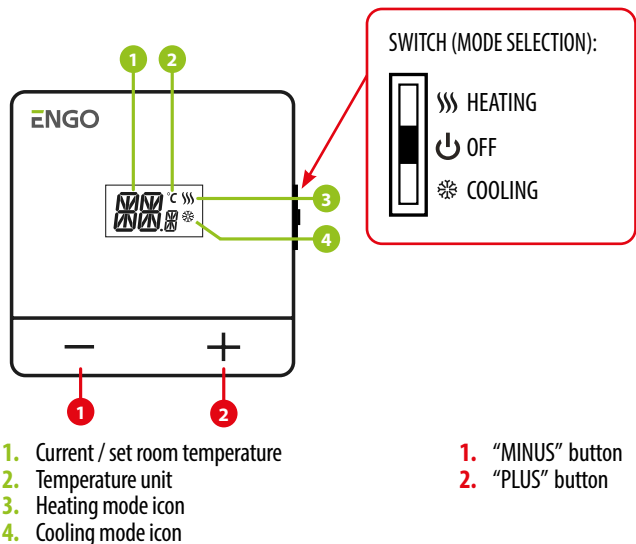
c) Connection diagram to the control box



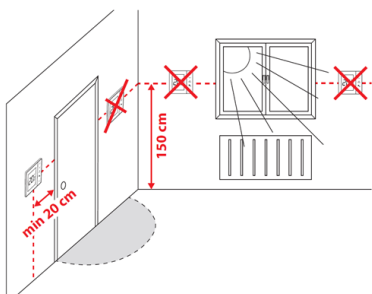
Legend

- Boiler - Boiler connection*** - boiler's contacts for ON/OFF thermostat (according to the boiler's instructions)
- Pump
- Valve
- L, N** power supply
- COM, NO** voltage-free output
- SL1** 230V control input in the control box
- fuse

Description of the LCD display + description of the buttons

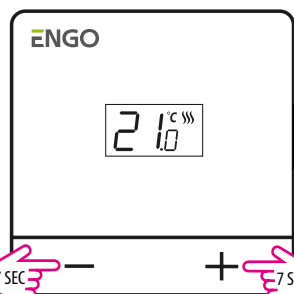


Proper thermostat location



For the thermostat to work properly, it must be installed in a suitable place. Preferably approx. 150 cm above floor level, away from sources of heat or cold. In addition, the thermostat should not be installed behind curtains or other obstacles or in places with high humidity, as this will prevent an accurate measurement of the temperature in the room. It is not recommended to install the thermostat on an outside wall, in a draft or in a place where it will be exposed to direct sunlight.

Lock / Unlock the thermostat's keys



To lock the keys on the thermostat, press and hold simultaneously **-** and **+** buttons for 7 seconds. After the **LOC** screen appears, release the keys. Thermostat is locked.

To unlock the keys on the thermostat, press and hold simultaneously **-** and **+** buttons for 7 seconds. After the **UNL** screen appears, release the keys. Thermostat is unlocked.

Installer parameters

WARNING!
After entering the service menu, use **-** or **+** buttons to choose parameter. For the parameter selection to be confirmed, wait 3 seconds. The screen will appear with the settings that you can change with **-** or **+** buttons. Wait 3 seconds for the selection to be confirmed. The thermostat will go to the home screen.

- 0 MAIN SCREEN**
To enter the service menu, press and hold „MINUS“ and „PLUS“ buttons for 5 seconds.

5 SEC **-** **+** 5 SEC

21.0
- 1 CHOOSE A CONTROL ALGORITHM**
UFH - underfloor heating
RAD - radiator heating
ELE - electric heating
H - hysteresis in the range from 0,4°C to 4,0°C
Example: H = 0,4°C = ±0.2°C

CL_r WAIT 3 SEC → UF_H ... **-**/**+** → 44.0
- 2 MIN. TEMP SETPOINT LIMIT**
Set the minimum temperature setpoint limit.

7.1 WAIT 3 SEC → 5.0 **-**/**+**
- 3 MAX. TEMP SETPOINT LIMIT**
Set the maximum temperature setpoint limit.

7.2 WAIT 3 SEC → 35.0 **-**/**+**
- 4 TEMPERATURE CALIBRATION**
Displayed (measured) temperature can be calibrated in steps of 0.1°C (from -3.5°C to + 3.5°C).

CAL WAIT 3 SEC → 0.0 **-**/**+**
- 5 BATTERY STATUS***
Check the current battery status (%).
*only for battery version

BAt WAIT 3 SEC → 99 **-**/**+**
- 6 OUTPUT CONTROL**
Select whether the thermostat output has to work as NO = Normally Open or NC = Normally Closed.

OUT WAIT 3 SEC → NO **-**/**+** → NC
- 7 RESET**
Reset thermostat settings to default values.

RES WAIT 3 SEC → NO **-**/**+** → YES