

Wi-Fi Thermostat

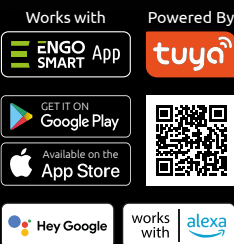


E10-W

E10-B

Quick Guide

Ver. 5.6
Release date: VII 2024
Soft:
Main module v2.02
MCU v1.6.1



Producer:
Engo Controls sp. z o.o. sp. k.
Rolna 4 St.
43-262 KobieliŃce
Poland

www.engocontrols.com

Technical Informations

Power supply	230V AC 50 Hz
Max current	3(1)A
Temperature range	5,0°C to 45,0°C
Display temp. accuracy	0,1°C
Control algorithm	TPI or Hysteresis ($\pm 0,1^\circ\text{C}$ - $\pm 0,5^\circ\text{C}$)
Communication	WiFi 2,4 GHz
S1 - S2 input	Floor temperature or air temperature sensor
Output control	COM / NO (voltage-free)
IP protection class	IP30
Dimension [mm]	86 x 86 x 39 mm (14 mm after in box mounting \varnothing 60)

Product description

E10 is a wired temperature thermostat with a WiFi and Bluetooth module. It enables economic and ecological control of any type of heating. Provides remote control of the heating system using the ENGO Controls / Tuya Smart application. It is characterized by a clear menu and a multitude of useful functions. Programming the E10 is very simple and allows you to adjust the heating cycle to the user's daily rhythm. The model is available in white and black.

Products features

- Wi-Fi 2.4 GHz communication standard
- compatibility with the ENGO Smart application (in Tuya Cloud technology)
- TPI algorithm ideal for underfloor heating
- voltage-free output
- possibility to set the minimum and maximum setpoint temperature range
- control of underfloor heating or heat source

Product Compliance

This product complies with the following EU Directives: 2014/53/EU i 2011/65/EU.

SAFETY INFORMATION

Use in accordance with national and EU regulations. Use the device only as intended, keeping it in a dry condition. The product is for indoor use only. Please read the entire manual, before installation or use.

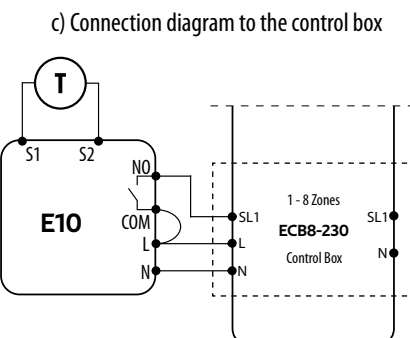
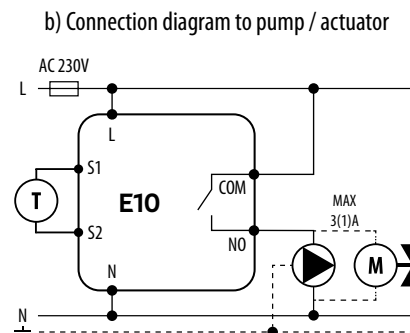
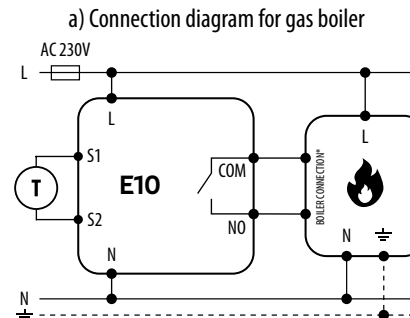
Installation:

Installation must be performed by a qualified person with appropriate electrical qualifications, in accordance with the standards and regulations in force in a given country and in the EU. The manufacturer is not responsible for non-compliance with the instructions.

WARNING:

For the entire installation, there may be additional protection requirements, which the installer is responsible for.

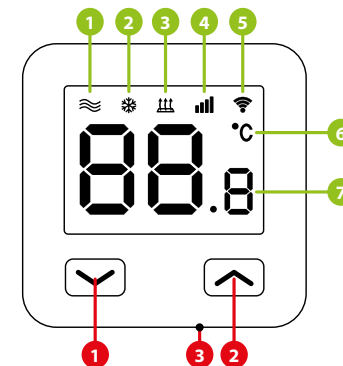
Connection diagrams



Legend:

- Boiler - Boiler connection*** - Boiler's contacts for ON/OFF thermostat (according to the boiler's instructions)
- Temperature sensor
- Pump
- Valve
- L, N** power supply
- COM, NO** voltage-free output
- S1, S2** output for temperature sensor
- SL1** 230V control input in the control box
- fuse

LCD icon description + Button description



1. Heating icon
2. Frost protection mode
3. Excessive floor temperature
4. Internet
5. Connection with Wi-Fi
6. Current room temperature
7. Current / setpoint room temperature
1. "DOWN" button
2. "UP" button
3. "RESTART" button

	Change the parameter value up
	Change the parameter value down
	Enter the pairing mode - hold until the PA message appears
	Factory reset - hold until the FA message appears
	Intensity of the night LCD backlight (Ambient Backlight) - hold until Ab message appears, then release the keys and choose the intensity in the range of 0 - 10
	Pressing this key will restart the thermostat (the button should be clicked with a pin)

Ambient backlight

Ambient Backlight is a subtle LCD backlight very helpful in darkened rooms. The subtle glow provides a room temperature reading in nighttime conditions.

Installation of the Wi-Fi thermostat in the app

Make sure your router is within range of your smartphone. Make sure you are connected to the Internet. This will reduce the pairing time of the device.

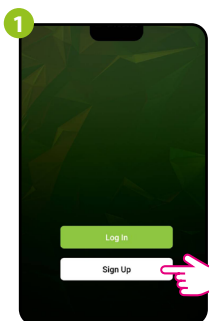
STEP 1 - DOWNLOAD ENGO SMART APP

Download the ENGO Smart app from Google Play or Apple App Store and install it on your smartphone.

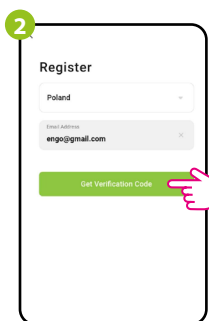


STEP 2 - REGISTER THE NEW ACCOUNT

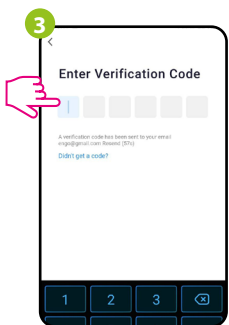
To register a new account, please follow the steps below:



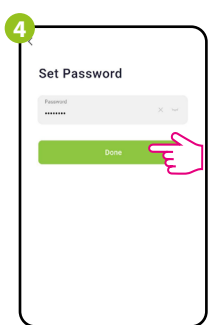
Click „Sign Up” to create new account.



Enter your e-mail address to which the verification code will be sent.



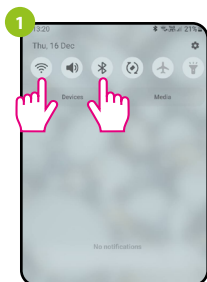
Enter the verification code received in the email. Remember that you only have 60 seconds to enter the code!



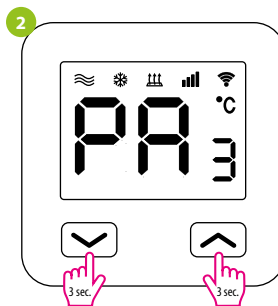
Then set the login password.

STEP 3 - CONNECT THE THERMOSTAT TO WI-FI

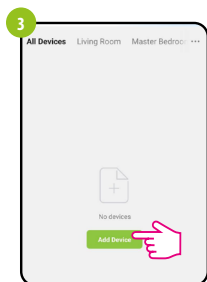
After installing the app and creating an account:



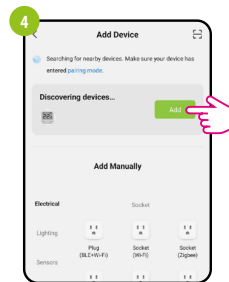
On your mobile device, make sure the ENGO Smart has access to permissions (Location, Bluetooth, Nearby devices). Then turn on Bluetooth and Location. Connect to 2.4GHz Wi-Fi network to which you want to assign the device.



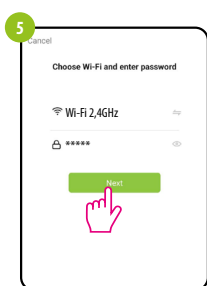
Make sure the thermostat is powered on. Then press and hold the buttons on the thermostat for approx. 3 seconds until the display shows „PA”. Then release the keys. The pairing mode will be started up.



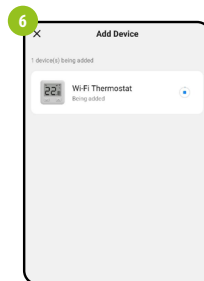
In the app, select: „Add Device”.



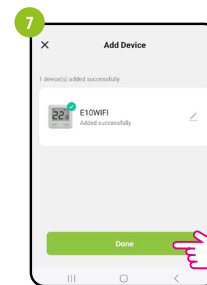
After finding the thermostat, go „Add”.



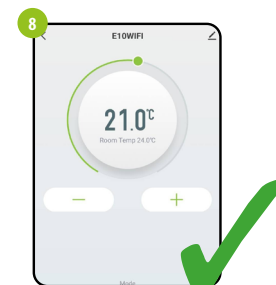
Select the Wi-Fi network in which the thermostat will operate and enter the password of this network.



Wait for the app to configure the thermostat with the selected Wi-Fi network.



Go „DONE”.



The thermostat has been installed and displays the main interface.

How to fix the problem?

DESCRIPTION	TROUBLESHOOTING
The internet connection icon is not displayed on the thermostat.	The thermostat is not connected to the Internet. Check the connection between thermostat and Internet. In this case, it is possible to control the thermostat locally using a mobile device. The mobile device and the thermostat must be on the same Wi-Fi network.
The Wi-Fi connection icon is flashing on the thermostat.	1. The Wi-Fi network in which the thermostat was installed is turned off. Check the router and Wi-Fi connection. In this case, it is possible to control the thermostat locally via Bluetooth. The mobile device must have access to the Internet (via Wi-Fi or mobile data) and be near the thermostat. 2. The thermostat is in pairing mode. Reinstall the thermostat.
Thermostat displays error E2.	Check or connect the external temperature sensor.
The thermostat has the display off.	Check if you connected the wires correctly or if the thermostat is not turned off in the app.

Restore default settings

To restore the default settings of the thermostat, hold down the & buttons for approx. 8 seconds. „FA” monit will be displayed. After all, the thermostat will go through a default reset sequence and display the main screen.

