

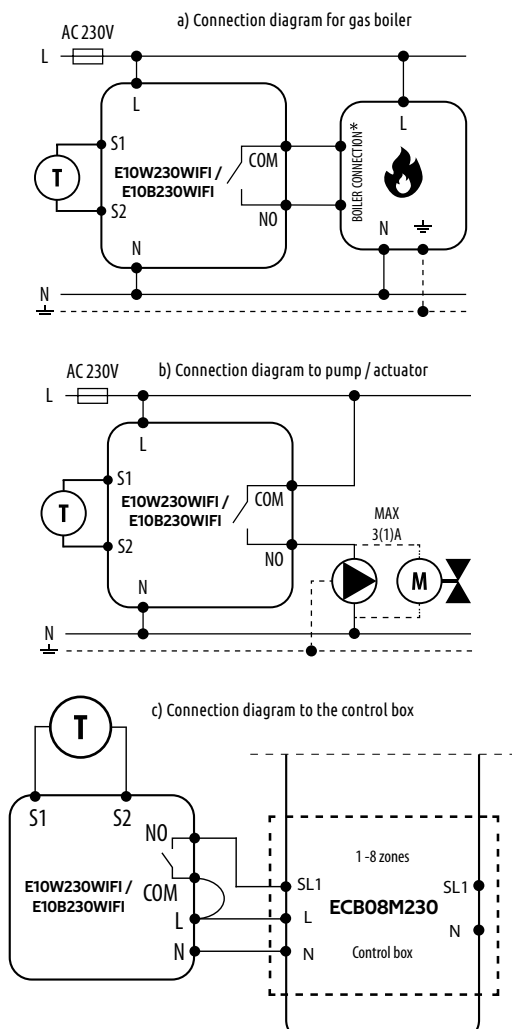


E10W230WIFI

Wi-Fi Thermostat, 230V, white

E10 is a wired temperature thermostat with a WiFi and Bluetooth module. It enables economic and ecological control of any type of heating. Provides remote control of the heating system using the ENGO Smart / Tuya Smart application. It is characterized by a clear menu and a multitude of useful functions. Programming the E10 is very simple and allows you to adjust the heating cycle to your daily rhythm. The model is available in white and black.

Connection description:



Technical Informations

Power supply	230V AC 50Hz
Max current	3 (1) A
Temp. setpoint range	5 – 45°C
Display temp. accuracy	0.1°C
Control algorithm	TPI or hysteresis (±0.1°C to ±0.5°C)
Communication	WiFi 2,4 GHz
Input S1 and S2	Floor temp. sensor or Air temp. measurement
Control output	NO/COM (voltage-free relay)
Protection class	IP30
Dimensions [mm]	86 x 86 x 39 (14 after mounting in a box with a diameter of 60)

