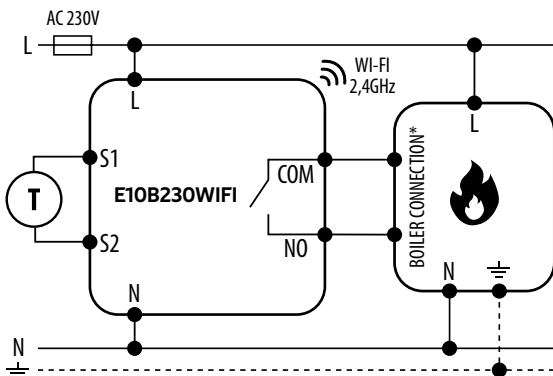


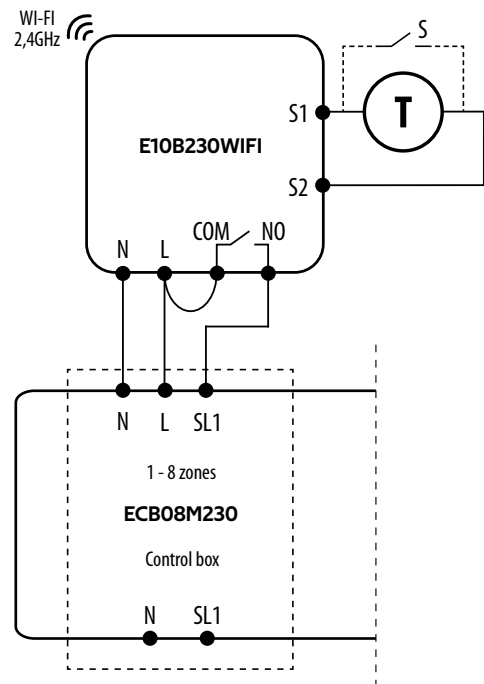
WIRING DIAGRAM - E10B230WIFI

Internet controlled thermostat, WiFi

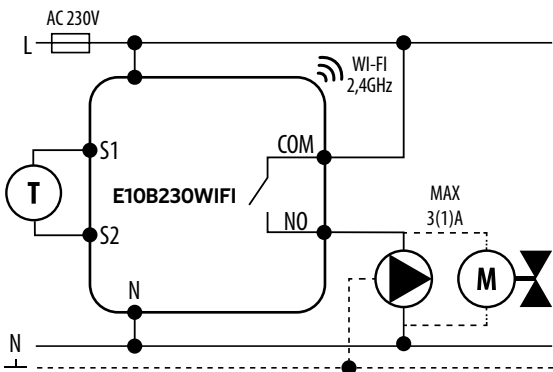
a) Connection diagram for gas boiler




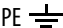
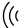







c) Connection diagram to the control box



b) Connection diagram to pump / actuator



LEGEND

	Battery powered		Ground (electricity)		Wireless communication
	Fuse		Pump		Heating mode
L, N	230V AC power supply		Valve actuator	S	Occupancy sensor or ON/OFF contact
COM, NO, NC	Voltage-free output		Temperature sensor	S1, S2	Input terminals
	Boiler - Boiler connection* - Boiler's contacts for ON/OFF thermostat (according to the boiler's instructions)		Thermoelectric actuator	SL →	230V AC voltage output