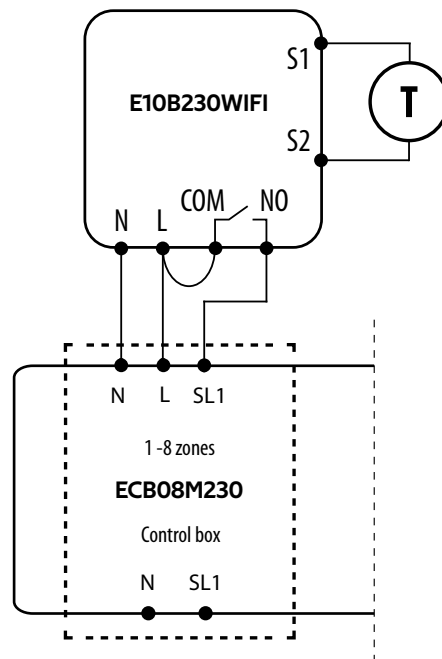
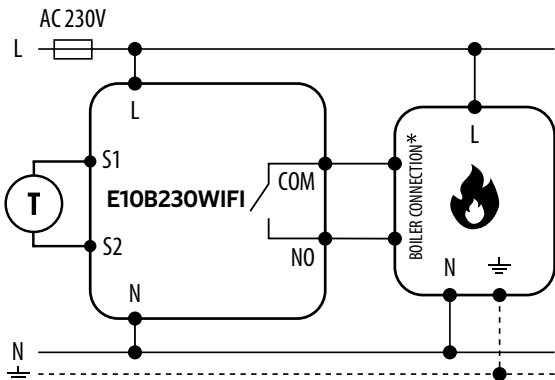


WIRING DIAGRAM - E10B230WIFI

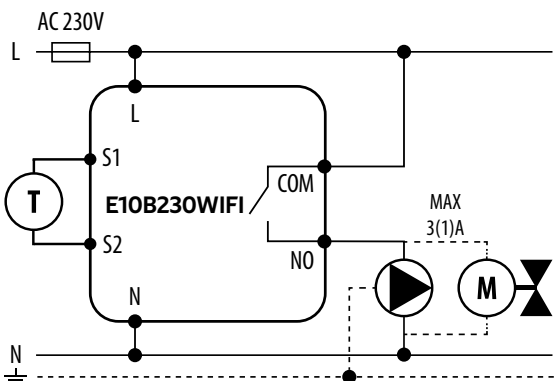
Internet controlled thermostat, WiFi

a) Connection diagram for gas boiler


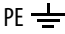
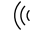




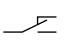

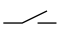

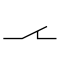

c) Connection diagram to the control box



b) Connection diagram to pump / actuator



LEGEND

	Battery powered		PE Ground (electricity)		Wireless communication
	Fuse		Pump		Heating mode
L, N	230V AC power supply		Valve actuator		NC/COM/NO switch
COM, NO, NC	Voltage-free output		Temperature sensor		Contact normally open NO
S1, S2	Input terminals		Thermoelectric actuator		Contact normally closed NC
SL →	230V AC voltage output		Boiler - Boiler connection * - Boiler's contacts for ON/OFF thermostat (according to the boiler's instructions)		